

OHO® THREADED ENDS GATE VALVE

Class 125, Screwed Bonnet, Non-Rising Stem, Solid Wedge Disc, Integral Seat, Threaded Ends to BS 21 or NPT.

2008/08 Edition Printed Catalog

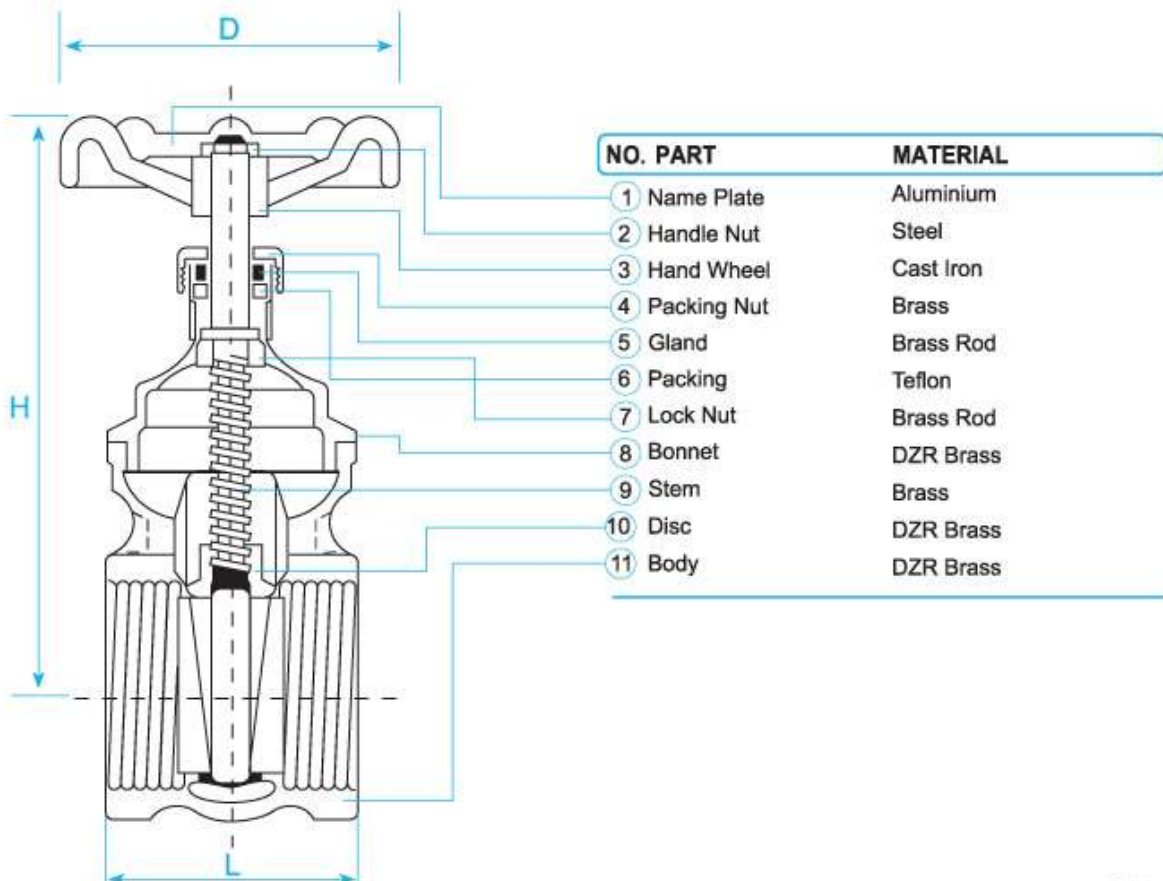


Model 101CR

Pneumatic pressure test:
6 Kg/cm² (Air Under Water)
200 psi W.O.G. Non-shock

Dimensions (mm)

Size (Inch)		½"	¾"	1"	1¼"	1½"	2"
L	End to End	46	48	56	62	67	72
H	Height	75	85	93	110	122	145
D	Hand Wheel Diameter	54	60	66	79	79	99



Due to continuous product development, data is not binding and may change without prior notice

OHO® THREADED ENDS GATE VALVE

Class 125, Screwed Bonnet, Non-Rising Stem, Solid Wedge Disc, Integral Seat, Threaded Ends to BS 21 or NPT.

2008/08 Edition Printed Catalog



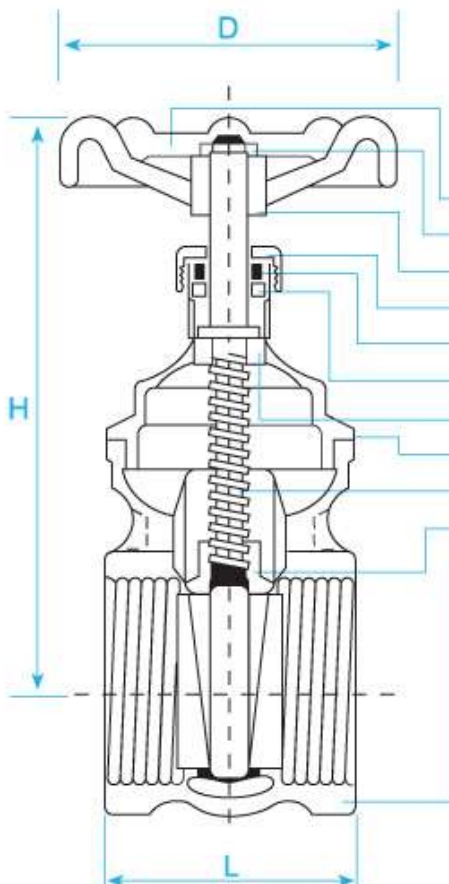
Model 101F

Bronze Material

Pneumatic pressure test:
6 Kg/cm² (Air Under Water)
200 psi W.O.G. Non-shock

Dimensions (mm)

Valve	Size Inch	1/2"	3/4"	1"	1 1/4"	1 1/2"	2"	2 1/2"	3"	4"
L	End to End	43	49	53	61	63.50	72	89	100.50	116
H	Height	76.50	86.50	99.50	119	136	155	190	220	243
D	Hand Wheel Diameter	54	60	70	79	89	99	118	126	153



NO. PART

- 1 Name Plate
- 2 Handle Nut
- 3 Hand Wheel
- 4 Packing Nut
- 5 Gland
- 6 Packing
- 7 Lock Nut
- 8 Bonnet
- 9 Stem
- 10 Disc
- 11 Body

Model 101F MATERIAL

Aluminium
Steel
Cast Iron
Brass
Brass Rod
Teflon
Brass Rod
Bronze
Brass
Bronze
Bronze

Model 101 MATERIAL

Aluminium
Steel
Cast Iron
Brass
Brass Rod
Teflon
Brass Rod
Brass
Brass
Brass
Brass

Due to continuous product development, data is not binding and may change without prior notice

OHO® SOLDER ENDS GATE VALVE

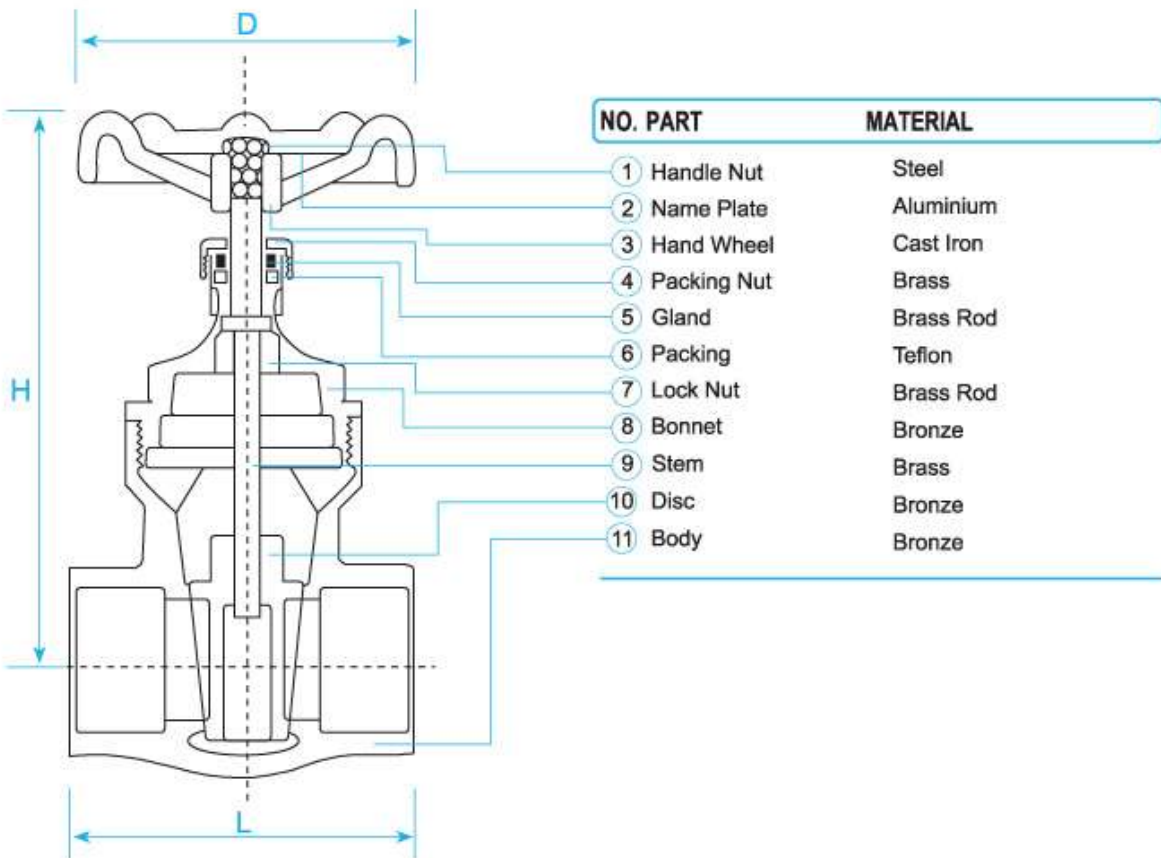
Class 125, Screwed Bonnet, Non-Rising Stem, Solid Wedge Disc, Integral Seat, Solder - Joint Ends.



Model 102C
Pneumatic pressure test:
6 Kg/cm² (Air Under Water)
200 psi W.O.G. Non-shock

Dimensions (mm)

	Size (Inch)	½"	¾"	1"	1¼"	1½"	2"	2½"	3"	4"
L	End to End	44	53.50	64	75	82	94	114	130	175
H	Height	76.50	86.50	99.50	119	136	155	190	220	273
D	Hand Wheel Diameter	54	60	70	79	89	99	118	126	153



OHO® COMPRESSION ENDS GATE VALVE

Class 125, Screwed Bonnet, Non-Rising Stem, Solid Wedge Disc, Integral Seat, compression Ends to BS EN 1254.

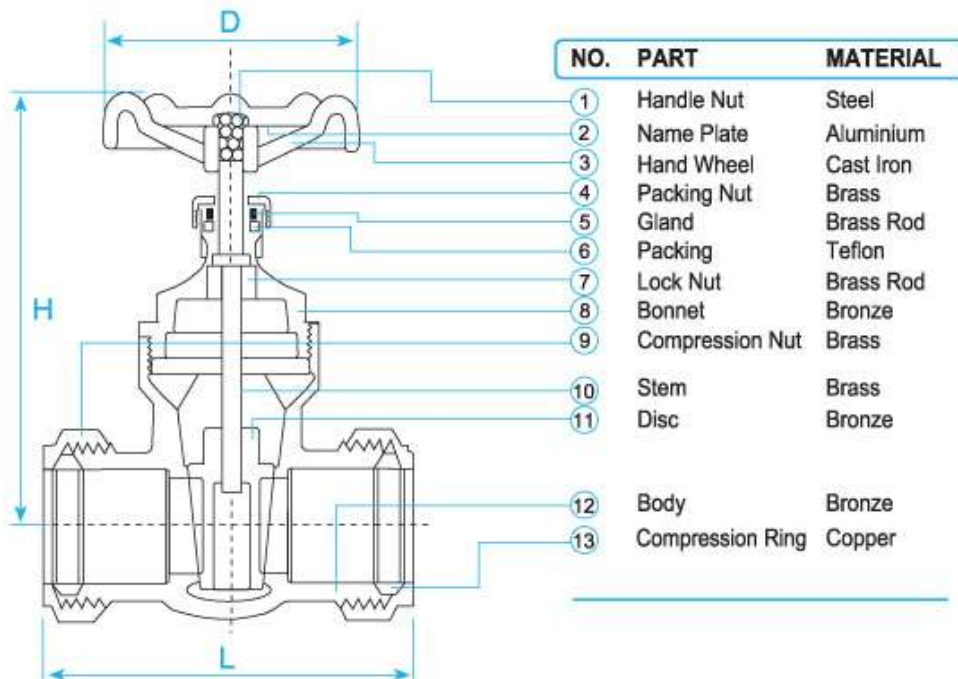


Model 104C

Pneumatic pressure test:
6 Kg/cm² (Air Under Water)
200 psi W.O.G. Non-shock

Dimensions (mm)

Size (Inch)		½"	¾"	1"	1¼"	1½"	2"
L	End to End	55	72	91	107	113	125
H	Height	76.50	86.50	99.50	119	138	155
D	Hand Wheel Diameter	54	60	70	79	89	99



OHO® COMPRESSION ENDS GATE VALVE

Class 125, Screwed Bonnet, Non-Rising Stem, Solid Wedge Disc, Integral Seat, compression Ends to DIN 8076, Suitable For PE, PP or PP-R Pipe Material.

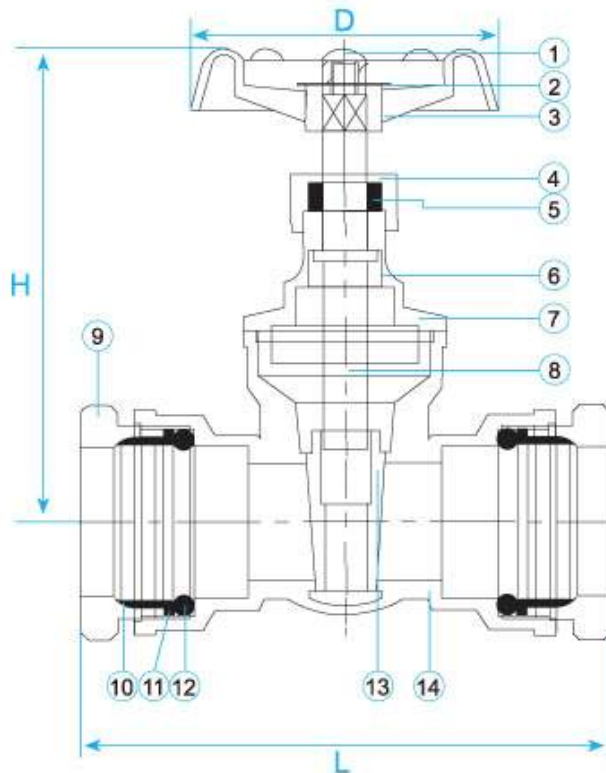


Model 105C

Pneumatic pressure test:
6 Kg/cm² (Air Under Water)
200 psi W.O.G. Non-shock

Dimensions (mm)

Size	Inch mm	½" 20	¾" 25	1" 32
L	End to End	94	99	117
H	Height	76.50	86.50	99.50
D	Hand Wheel Diameter	54	60	70



NO. PART	MATERIAL
1 Handle Nut	Steel
2 Name Plate	Aluminium
3 Hand wheel	Cast Iron
4 Packing Nut	Brass
5 Packing	Teflon
6 Lock Nut	Brass
7 Bonnet	Bronze
8 Stem	Brass
9 Compression Nut	Brass
10 Compression Ring	Brass
11 Washer	Brass
12 O-Ring	EPDM
13 Wedge	Bronze
14 Body	Bronze